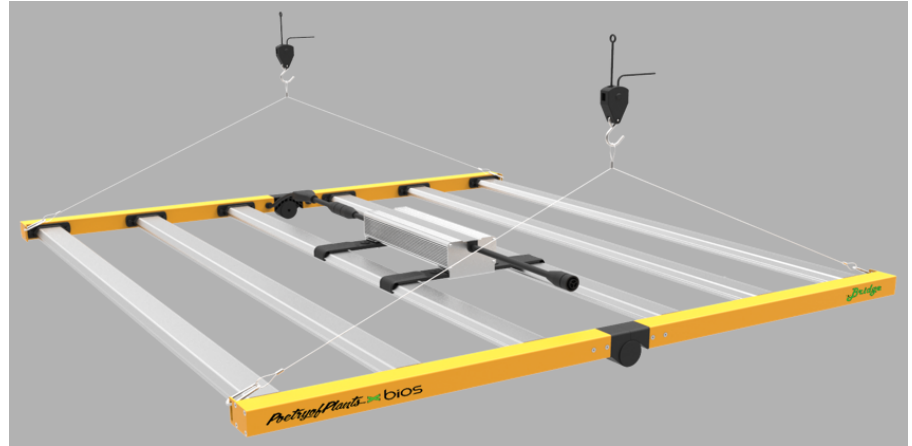


In Collab With *Poetry of Plants* The *Bridge*

HPS Inspired

Industrial Grade
Construction and
Durability

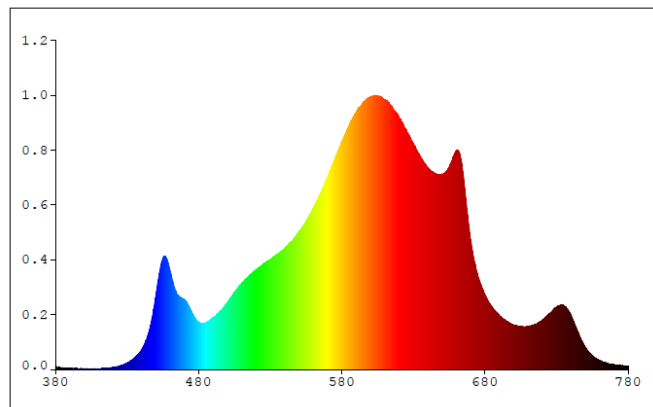
Bridges the Gap
between HPS and LED



Analog Dimmer with
Adhesive Back Included



Custom HPS-Inspired Spectrum



Daisy Chain Options

Voltage (V)	Max # Connected	Current (A)
120	2	5.4
208	4	3.1
240	5	2.7

Based on 14g cabling for 15 amp circuit

Waterproof Power Port

IP66 Rated

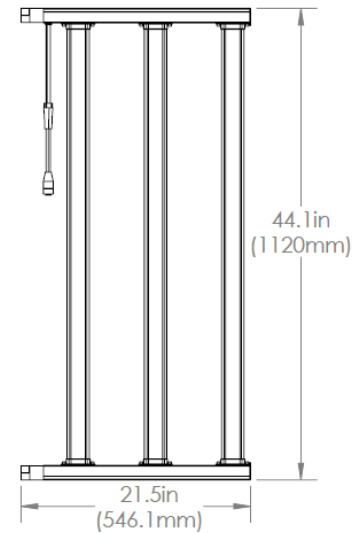
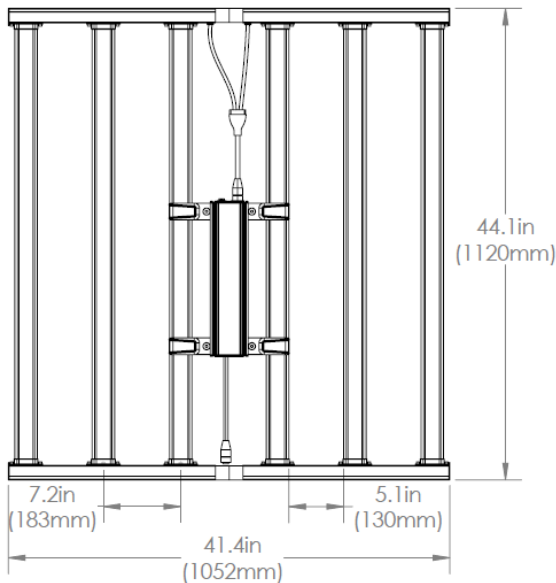
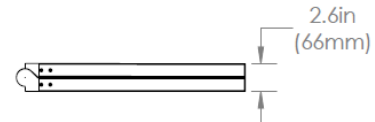
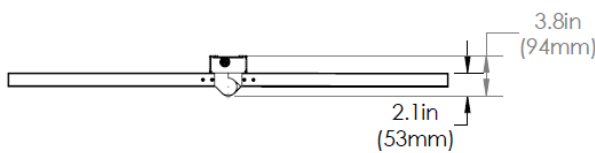
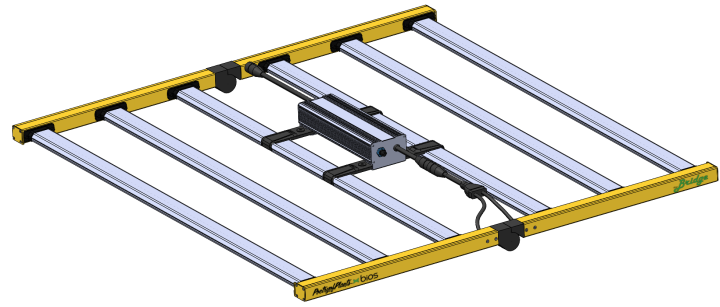


Protection from IPM,
watering wands, and
irrigation leaks

Easy to clean

Partnered With

Poetry of Plants



Specifications

PPF: 1550 $\mu\text{mol/s}$

VOLTAGE: 120V to 277V

FIXTURE WATTAGE: 650W

REPORTED LIFETIME: Q90 > 50,000 hours

DIMMING PROTOCOL: 0 to 10V

DISTRIBUTION: 120° Beam Angle

What's inside the box:

- (1) The Bridge Fixture
- (1) BIOS Power Supply Unit
- (1) Analog Dimmer
- (1) 120V 5-15P AC Cable 2.5m
- (1) 240V Adapter
- (2) Gripple Cables with Carabiners (Y-Hangers, Pair)
- (2) Adjustable Nylon Rope Hangers (Pair)