



LUNA 2015

Engineered for Reliability

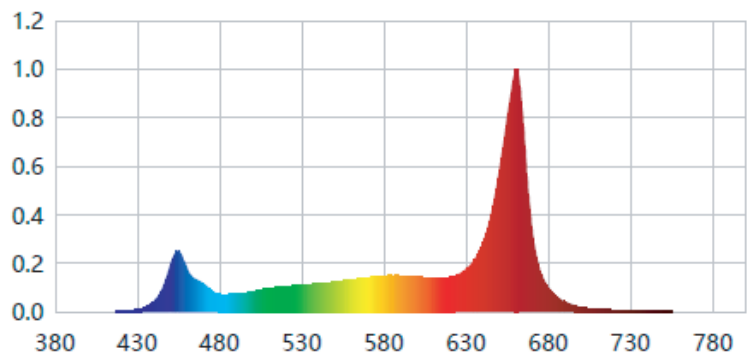
SPECTRALLY OPTIMIZED
EASY-TO-INSTALL
ENERGY EFFICIENT

High Efficacy Greenhouse Spectrum Top Light

Features and Benefits

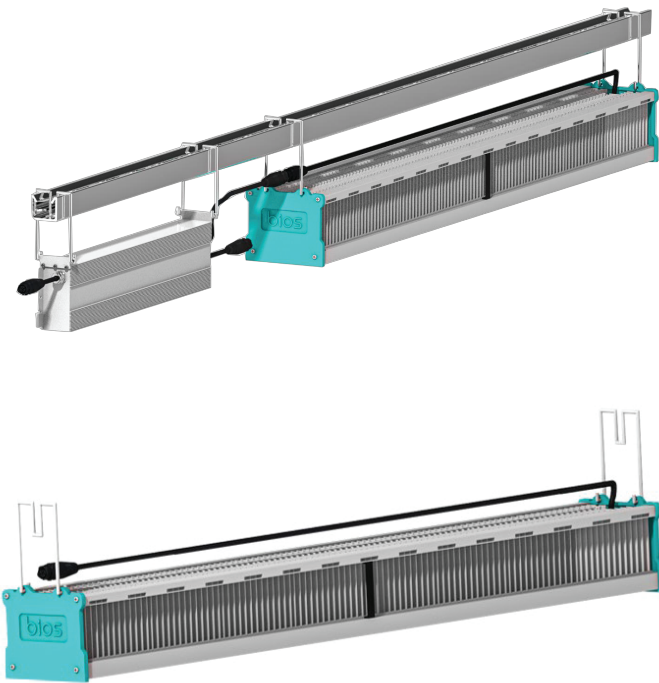
- + Fully assembled, industrial grade construction and durability.
- + Optimized spectrum for vine crops and cannabis, dimmable light for all phases of plant growth and production.
- + Remote power supply (LED driver) for flexible mounting.
- + Cold-forged aluminum heat sink allows for passive cooling, eliminating fans, moving parts, and noise.

Scientifically Engineered Spectrum Maximizes Photosynthesis and Growth



Performance Summary

- + Fixture Wattage: 665W
- + Voltage: 120-277 VAC and 277-580 VAC
- + Photosynthetic Photon Flux: 2015 $\mu\text{mol/s}$
- + PAR Photon Efficacy ($\mu\text{mol PAR/J}$): 3.03 $\mu\text{mol/J}$
- + Ingress Protection: IP66
- + Warranty: 7 Year Fixture, 5 Year PSU



bioslighting.com
(321) 260-2467
info@bioslighting.com

LUNA TOP LIGHTS v3 [11212023]
Specifications and dimensions subject to change without notice.
Contact BIOS for questions and the most current information.



Fixture Specifications

APPLICATIONS	Greenhouse Supplemental Lighting Indoor Top Light	CERTIFICATIONS	cETLus, RoHS, FCC, DLC
INPUT VOLTAGE	120-277V or 277-580V	FIXTURE WATTAGE	665W
FIXTURE SIZE / WEIGHT US	37.87" L x 4.57" W x 4.12" H 12.2 lbs	POWER FACTOR	> 95%
FIXTURE SIZE / WEIGHT M	96.19 cm L x 11.6 cm W x 10.46 cm H 5.53 kg	PPF	2015 μmol/s
POWER SUPPLY / WEIGHT US	17" L x 2.58" W x 4.08" H 7.4 lbs	PAR EFFICACY	3.03 μmol/J
POWER SUPPLY / WEIGHT M	43.18 cm L x 6.55 cm W x 10.36 cm H 3.36 kg	THERMAL MANAGEMENT	Passive Thermal Management
DIMMING SOURCE CURRENT	100uA (typical) Provides Source Current	WARRANTY	7 Year Fixture, 5 Year PSU
DIMMING PROTOCOL	0-10V Dims to Off Linearly Provides Source Current	LIGHT DISTRIBUTION	120°
HOUSING AND FINISH	Cold-forged Aluminum and Tempered Glass	AMBIENT TEMP. RANGE	41°F-104°F (5°C-40°C)
MOUNTING TECHNIQUE	Unistrut Brackets or Gripple Hangers	INGRESS PROTECTION	IP66
MOUNTING HEIGHT	36"-96" Above Plant Canopy	REPORTED LIFETIME	Q90: 50,000 hrs
SPECTRUM	High Efficacy Spectrum for Greenhouse Applications		

Available Accessories (Your fixture purchase includes the power supply, PSU connectors, and 4 hanging brackets for Unistrut.)

Accessory	Part Number
(1) AC Jumper Cable	BP-0ACC-000-120003-1
(1) DC Jumper Cable	BP-0ACC-000-220001-1
(1) Dimmer Chain Pigtail	BP-0ACC-000-350001-1
(1) Dimmer Chain Jumper	BP-0ACC-000-350002-1
(1) Dimmer Chain T Cable	BP-0ACC-000-350003-1
(1) AC Power Chain Pigtail	BP-0ACC-000-140001-1
(1) AC Power Chain Jumper	BP-0ACC-000-140002-1
(1) AC Power Chain T-Cable	BP-0ACC-000-140003-1

Accessory	Part Number
AC Pigtail	BP-0ACC-000-120001-1
(1) NEMA 5-15P	BP-0ACC-000-110001-1
(1) NEMA 6-15P	BP-0ACC-000-110002-1
(1) NEMA L6-15P	BP-0ACC-000-110003-1
(1) NEMA L6-20P	BP-0ACC-000-110004-1
(1) NEMA L7-15P	BP-0ACC-000-110005-1
(1) NEMA L7-20P	BP-0ACC-000-110006-1
(2) Small Y Gripple Hangers	BP-000B-000-YKAB02-1

Product Dimensions

