



# LUNA 1750

## Engineered for Reliability

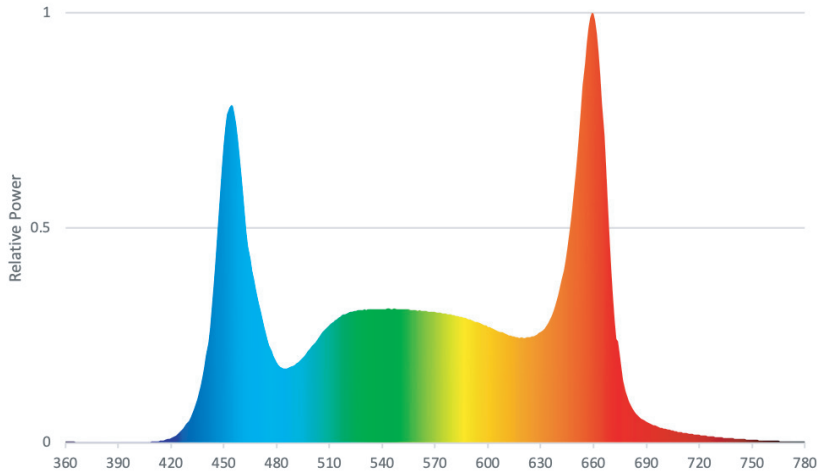
SPECTRALLY OPTIMIZED  
EASY-TO-INSTALL  
ENERGY EFFICIENT

### Broad Spectrum Greenhouse Top Light

#### Features and Benefits

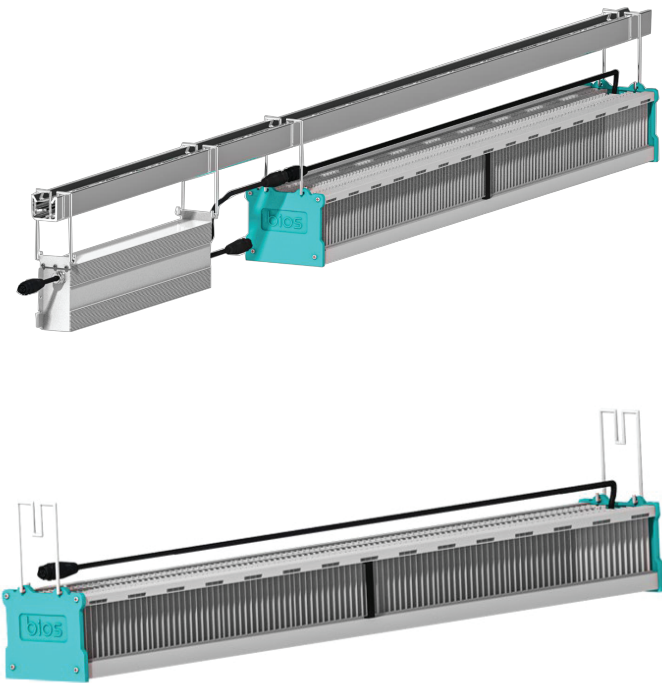
- + Fully assembled, industrial grade construction and durability.
- + Optimized broad spectrum, dimmable light for all phases of plant growth and production.
- + Remote power supply (LED driver) for flexible mounting.
- + Cold-forged aluminum heat sink allows for passive cooling, eliminating fans, moving parts, and noise.

#### Scientifically Engineered Spectrum Maximizes Photosynthesis and Growth



#### Performance Summary

- + Fixture Wattage: 635W
- + Voltage: 120-277 VAC and 277-580 VAC
- + Photosynthetic Photon Flux: 1750  $\mu\text{mol/s}$
- + PAR Photon Efficacy ( $\mu\text{mol PAR/J}$ ): 2.76  $\mu\text{mol/J}$
- + Ingress Protection: IP66
- + Warranty: 7 Year Limited



bioslighting.com  
(321) 260-2467  
info@bioslighting.com

LUNA TOP LIGHTS v3 [121523]  
Specifications and dimensions subject to change without notice.  
Contact BIOS for questions and the most current information.



## Fixture Specifications

<b>APPLICATIONS</b>	Greenhouse Supplemental Lighting   Indoor Top Light	<b>CERTIFICATIONS</b>	cETLus, RoHS, FCC, DLC
<b>INPUT VOLTAGE</b>	120-277V or 277-580V	<b>FIXTURE WATTAGE</b>	635W
<b>FIXTURE SIZE / WEIGHT US</b>	37.87" L x 4.57" W x 4.12" H   12.2 lbs	<b>POWER FACTOR</b>	> 95%
<b>FIXTURE SIZE / WEIGHT M</b>	96.19 cm L x 11.6 cm W x 10.46 cm H   5.53 kg	<b>PPF</b>	1750 μmol/s
<b>POWER SUPPLY / WEIGHT US</b>	17" L x 2.58" W x 4.08" H   7.4 lbs	<b>PAR EFFICACY</b>	2.76 μmol/J
<b>POWER SUPPLY / WEIGHT M</b>	43.18 cm L x 6.55 cm W x 10.36 cm H   3.36 kg	<b>THERMAL MANAGEMENT</b>	Passive Thermal Management
<b>DIMMING SOURCE CURRENT</b>	100uA (typical)   Provides Source Current	<b>WARRANTY</b>	7 Year Fixture, 5 Year PSU
<b>DIMMING PROTOCOL</b>	0-10V   Dims to Off Linearly   Provides Source Current	<b>LIGHT DISTRIBUTION</b>	120°
<b>HOUSING AND FINISH</b>	Cold-forged Aluminum and Tempered Glass	<b>AMBIENT TEMP. RANGE</b>	41°F-104°F (5°C-40°C)
<b>MOUNTING TECHNIQUE</b>	Unistrut Brackets or Gripple Hangers	<b>INGRESS PROTECTION</b>	IP66
<b>MOUNTING HEIGHT</b>	36"-96" Above Plant Canopy	<b>REPORTED LIFETIME</b>	Q90: 50,000 hrs
<b>SPECTRUM</b>	Optimized Broad Spectrum for Photosynthesis		

## Available Accessories

(Your fixture purchase includes the power supply, PSU connectors, and 4 hanging brackets for Unistrut.)

Accessory	Part Number
(1) AC Jumper Cable	BP-0ACC-000-120003-1
(1) DC Jumper Cable	BP-0ACC-000-220001-1
(1) Dimmer Chain Pigtail	BP-0ACC-000-350001-1
(1) Dimmer Chain Jumper	BP-0ACC-000-350002-1
(1) Dimmer Chain T Cable	BP-0ACC-000-350003-1
(1) AC Power Chain Pigtail	BP-0ACC-000-140001-1
(1) AC Power Chain Jumper	BP-0ACC-000-140002-1
(1) AC Power Chain T-Cable	BP-0ACC-000-140003-1

Accessory	Part Number
AC Pigtail	BP-0ACC-000-120001-1
(1) NEMA 5-15P	BP-0ACC-000-110001-1
(1) NEMA 6-15P	BP-0ACC-000-110002-1
(1) NEMA L6-15P	BP-0ACC-000-110003-1
(1) NEMA L6-20P	BP-0ACC-000-110004-1
(1) NEMA L7-15P	BP-0ACC-000-110005-1
(1) NEMA L7-20P	BP-0ACC-000-110006-1
(2) Small Y Gripple Hangers	BP-000B-000-YKAB02-1

## Product Dimensions

