



bios[®]

Icarus[®] Li

8-Bar Fixture

RELIABLE
EASY-TO-INSTALL
COST EFFECTIVE

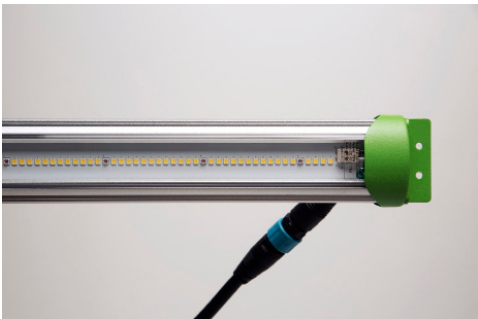
Indoor - Top Light Applications

Premium PAR Output and PAR Efficacy

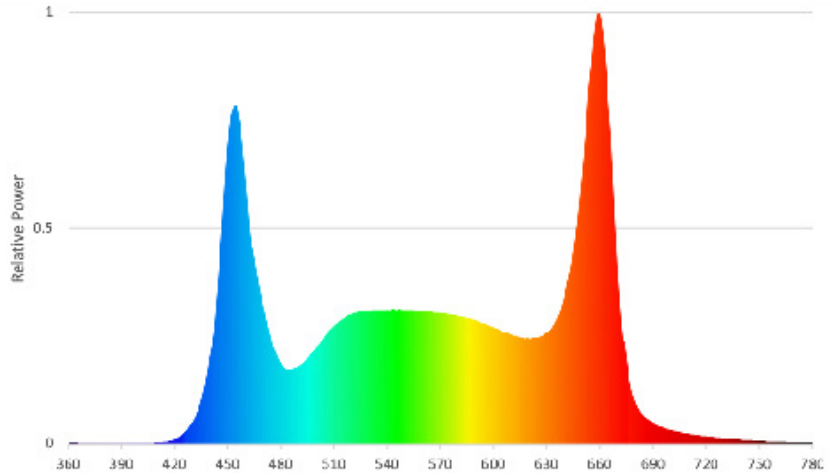
The BIOS Icarus Li LED grow light bars are a cost effective solution for vertical farming racking systems where multiple bars can be daisy chained and easily arranged according to desired light bar spacing.

Features and Benefits

- + Slim, lightweight design optimizes space and allows repositioning over the plant canopy in a variety of applications
- + Clip or end-cap L brackets allow easy installation into any racking system
- + Bars can be daisy chained by quick release connectors to a single power supply
- + LED bars can be installed at different densities to provide various PPF levels



Scientifically Engineered Spectrum Maximizes Photosynthesis and Growth



Performance Summary

- + Fixture Wattage: 654Watts at 120v - 634Watts at 277v (8-Bars)
- + Voltage: 110-277VAC & 277-480VAC
- + Photosynthetic Photon Flux: 1641 $\mu\text{mol/s}$ (8-Bars)
- + PAR Photon Efficacy ($\mu\text{mol PAR/J}$): 2.51 $\mu\text{mol/J}$ (8-Bars)
- + Ingress Protection: IP66
- + Warranty: 5 Year Limited

Fixture Specifications

BIOS[®] Icarus[®] Li

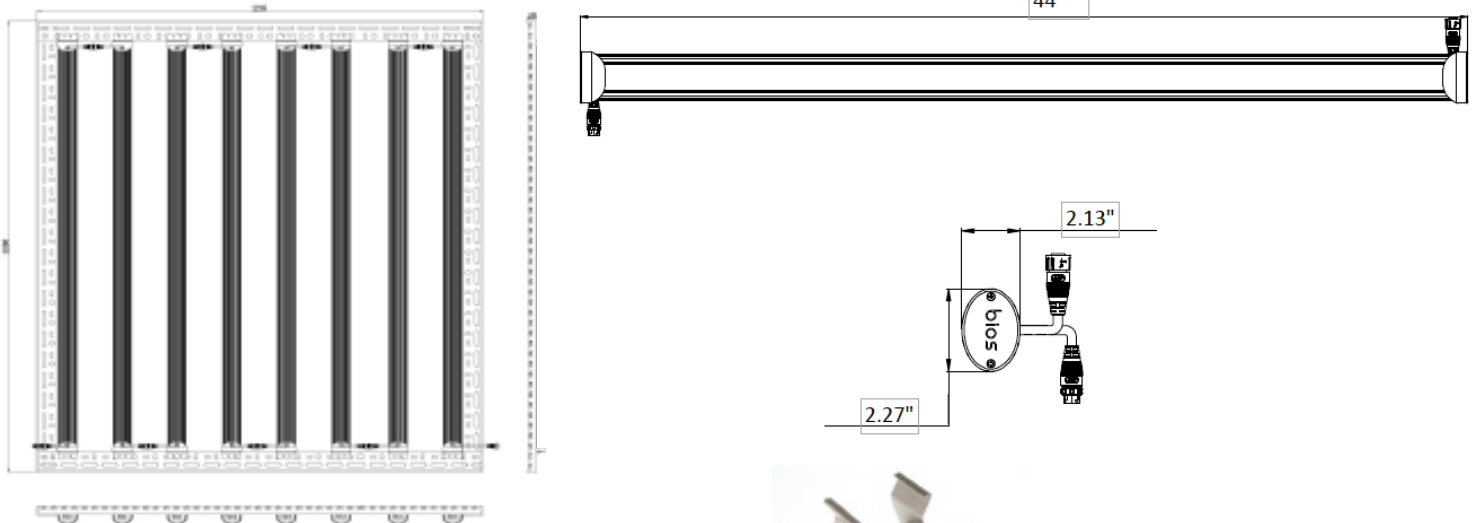
APPLICATIONS	Growth Chamber Vertical Farming	FIXTURE WATTAGE	654 Watts at 120W - 634Watts at 277W
INPUT VOLTAGE	Auto-sensing 110-277VAC & 277-480VAC	POWER FACTOR	> 95%
FIXTURE SIZE/WEIGHT US	44.0"L x 2.13"W x 2.27"H 3.5 lb (per bar)	PPF	1641 μmol/s
FIXTURE SIZE/WEIGHT M	111.7 cm L x 5.4 cm W x 5.8 cm H 1.6 kg	PAR EFFICACY	2.51 μmol/J
DIMMING PROTOCOL	Linearly 0-10V Dims to Off Provides Source Current	THERMAL MNGMT	Passive
HOUSING AND FINISH	Anodized clear	WARRANTY	5 Year Standard Limited
MOUNTING TECHNIQUE	Spring Clips, "L" Clips	LIGHT DISTRIBUTION	120°
MOUNTING HEIGHT	6"-24" Above Plant Canopy	AMBIENT TEMP. RANGE	41°F-104°F (5°C-40°C)
SPECTRUM	Photosynthetically Optimized Broad Spectrum	INGRESS PROTECTION	IP66
CERTIFICATIONS	UL8800, RoHS, FCC, DLC	REPORTED LIFETIME	Q90: > 50000 hrs

Available Accessories

Accessory	Part Number
(1) AC Jumper Cable, 2.5 M	BP-0ACC-000-000043-1
(1) DC Jumper Cable, 2.5 M	BP-0ACC-000-000002-1
(1) Dimmer Chain Pigtail	BP-0ACC-000-000007-1
(1) Dimmer Chain Jumper	BP-0ACC-000-000050-1
(1) Dimmer Chain T Cable	BP-0ACC-000-000049-1
(1) AC Power Chain Pigtail	BP-0ACC-000-000047-1
(1) AC Power Chain Jumper	BP-0ACC-000-000048-1
(1) AC Power Chain T-Cable	BP-0ACC-000-000046-1
(1) AC Pigtail 2.5m	BP-0ACC-000-000001-1
(1) Li Shorting Jumper	BP-0ACC-000-000004-1

Accessory	Part Number
(1) NEMA 5-15P AC Cable	BP-0ACC-000-000040-1
(1) NEMA 6-15P AC Cable	BP-0ACC-000-000041-1
(1) NEMA L6-15P AC Cable	BP-0ACC-000-000038-1
(1) NEMA L6-20P AC Cable	BP-0ACC-000-000039-1
(1) NEMA L7-15P AC Cable	BP-0ACC-000-000042-1
(1) NEMA L7-20P AC Cable	BP-0ACC-000-000045-1
(16) "U" Shape Mounting Clips	BP-000B-000-000001-1
(16) "L" Shape Mounting Clips	BP-000B-000-000002-1
Bracket, for Rack or Suspension	BP-000B-000-000005-1

Product Dimensions (Single Fixture)



Mounting Hardware Included

"U" Shape Mounting Clips | 2 per Bar (16 included)

