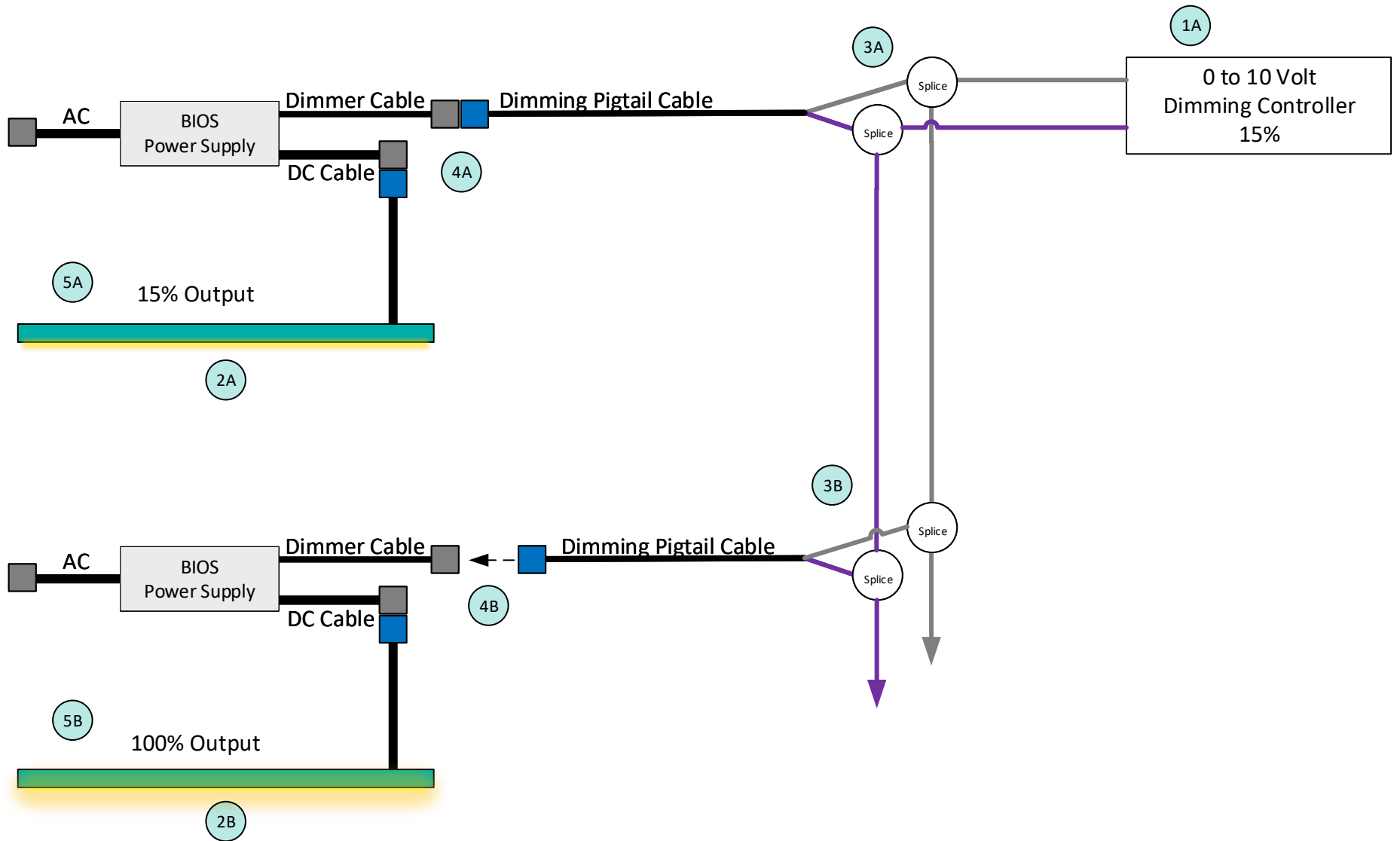


BIOS Dimming Instructions – Wiring Tips



Wiring Tips:

- ① Set Dimming controller to 15% dim level.
- ② Turn fixtures on.
- ③ Splice Dimming Pigtail Cable into the Daisy Chain.
- ④ Connect Dimming Pigtail Cable Quick Connect With PSU Dimming Cable Quick Connect.
- ⑤ If splice is clean, fixture will dim to 15%.
Repeat 2 through 5 with remaining fixtures in sequence until complete.